

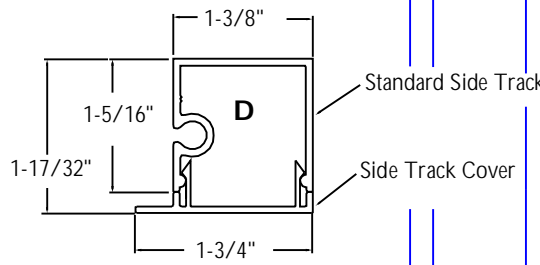
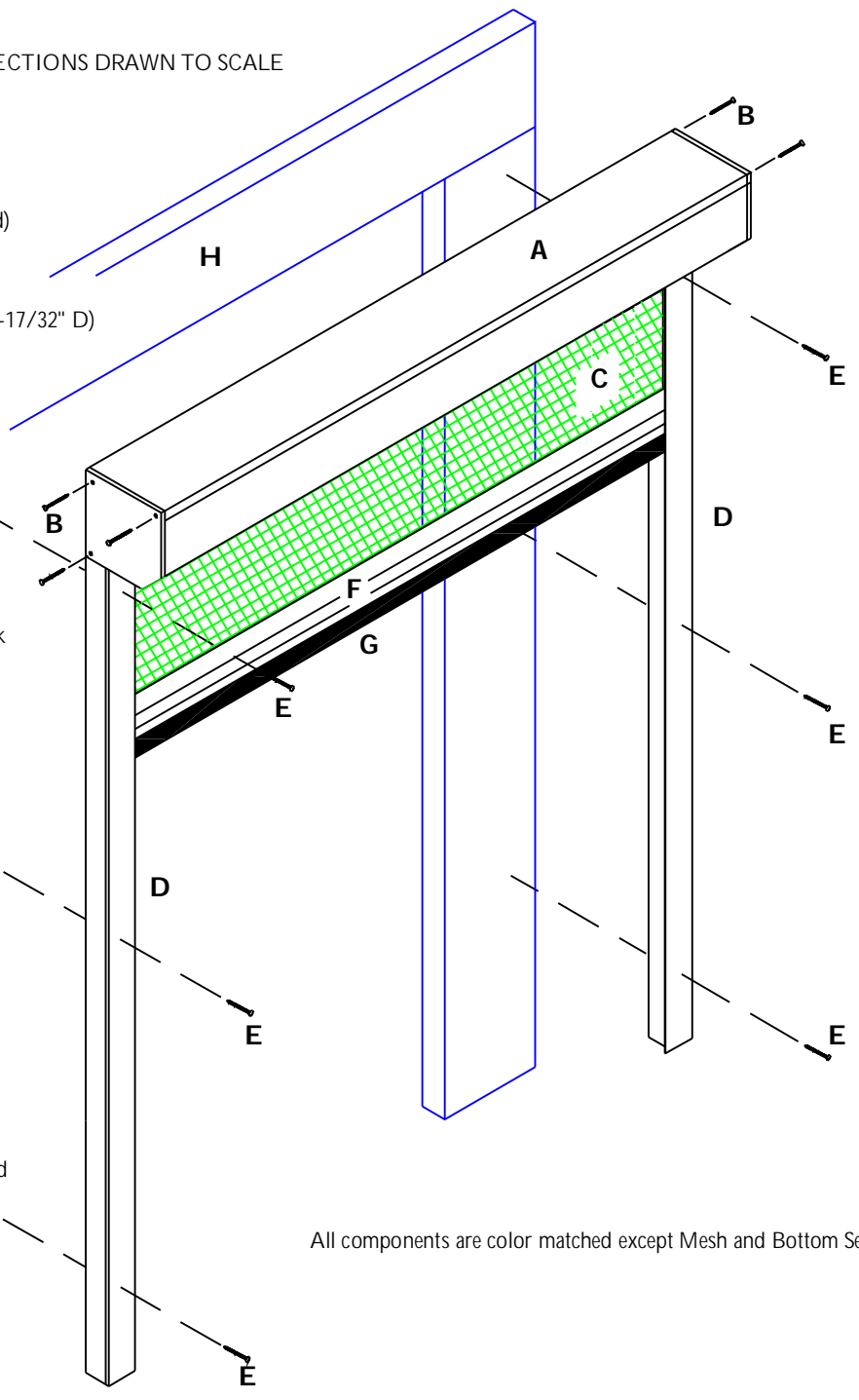
Executive Design Specifications- System With Standard Side Track (V2A)

(External Assembled View)

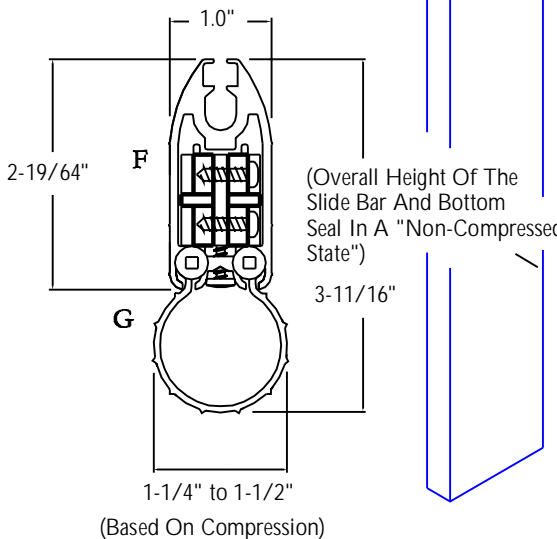
FOR ILLUSTRATION PURPOSES - ONLY CROSS SECTIONS DRAWN TO SCALE

Parts Spec

- A** Housing Assembly:
(5-1/2"W x 5-1/2"H or 7-1/8"W x 7-1/8"H)
- B** #8 x 1" Corrosion Resistant Fastener (Color Matched)
3 Fasteners per End Cap
- C** PVC Coated Fiberglass Mesh
or other - see Mesh Specifications
- D** Standard Side Track (V2A) c/w Cover (1-3/4" W x 1-17/32" D)
- E** #8 or #10 Corrosion Resistant Fastener
Type and length of screws may vary depending on type of mounting surface
- F** Slide Bar c/w Probe Assembly
- G** Bottom Seal - 4" Shown (Other Options Available)
- H** Mounting Surface



CROSS SECTIONAL VIEW OF THE STANDARD SIDE TRACK (V2A)
Scale: 1 : 1



CROSS SECTIONAL VIEW OF THE SLIDE BAR AND 4" BOTTOM SEAL
Scale: 1 : 1

All components are color matched except Mesh and Bottom Seal.

Note(s):
Effective June 01/2009 all SIMU Type 5 Motors are being replaced with the SOMFY LT50 Motors.

Creator: NDR	Date: 06/12/2009	Revision: Rev:
Drawing Title: PSEXECPRODDDESIGNSPEC06(A)		
© 2010 Phantom Mfg. Intl Ltd.		Scale: As Shown