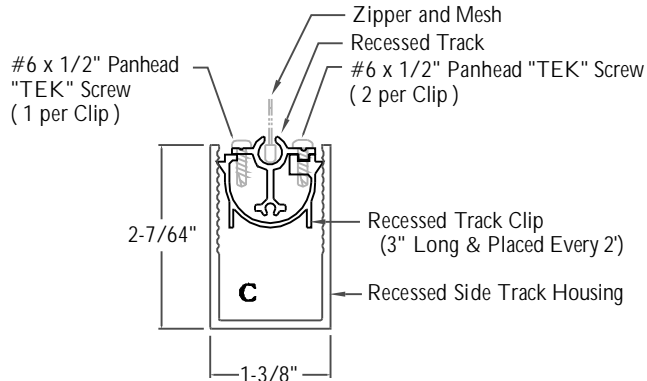


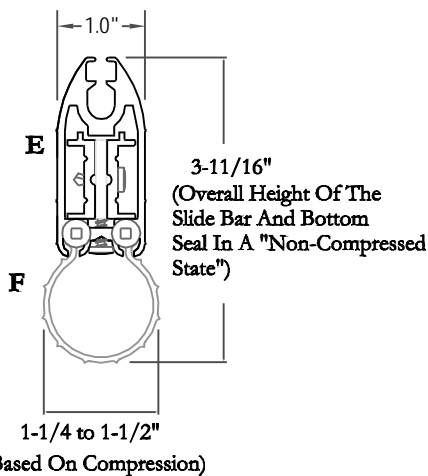
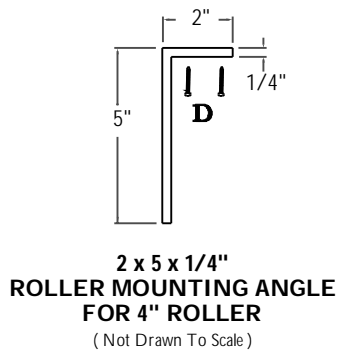
# Executive Design Specifications- System With Recessed Side Track

## (External Assembled View)

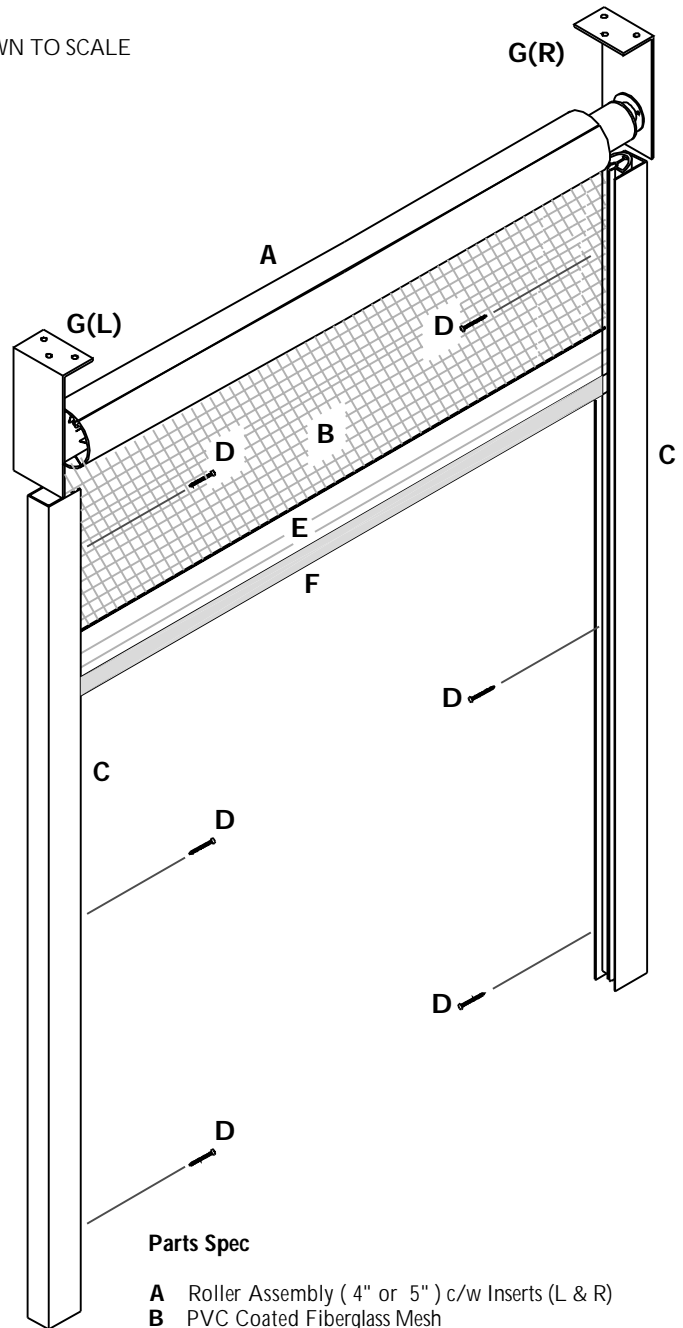
FOR ILLUSTRATION PURPOSES ONLY - ONLY CROSS SECTIONS DRAWN TO SCALE



**CROSS SECTIONAL VIEW  
OF THE FULLY ASSEMBLED  
RECESSED SIDE TRACK (V3)**



**CROSS SECTIONAL VIEW  
OF THE  
SLIDE BAR AND  
4" BOTTOM SEAL**



**Parts Spec**

- A** Roller Assembly ( 4" or 5" ) c/w Inserts (L & R)
- B** PVC Coated Fiberglass Mesh  
or other - see Mesh Specifications
- C** Recessed Side Track Assembly (1-3/8"W x 2-7/64"D)
- D** #8 or #10 Corrosion Resistant Fastener  
Type and length of screws may  
vary depending on type of mounting surface  
(Minimum of 3 per Side Track and Roller Mounting Angle)
- E** Slide Bar c/w Probe Assembly
- F** Bottom Seal - 4" Shown (Other options available)
- G** Roller Mounting Bracket ( 2" x 5" x 1/4" x 3-1/4" W )