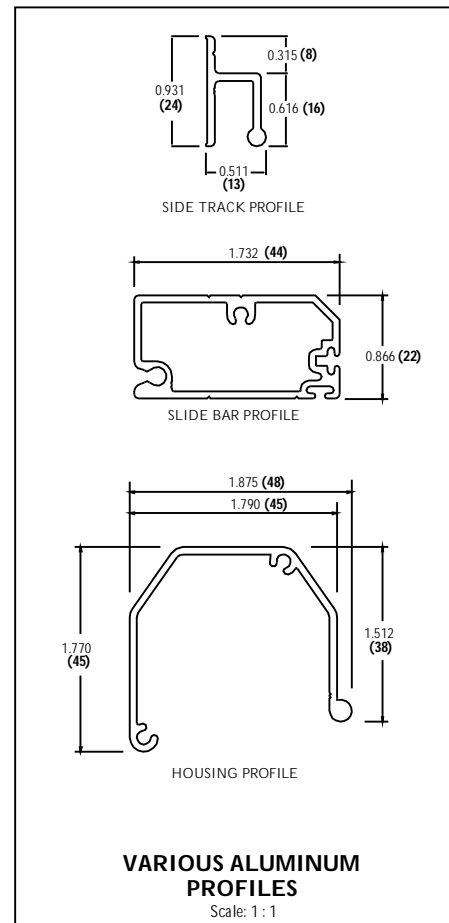
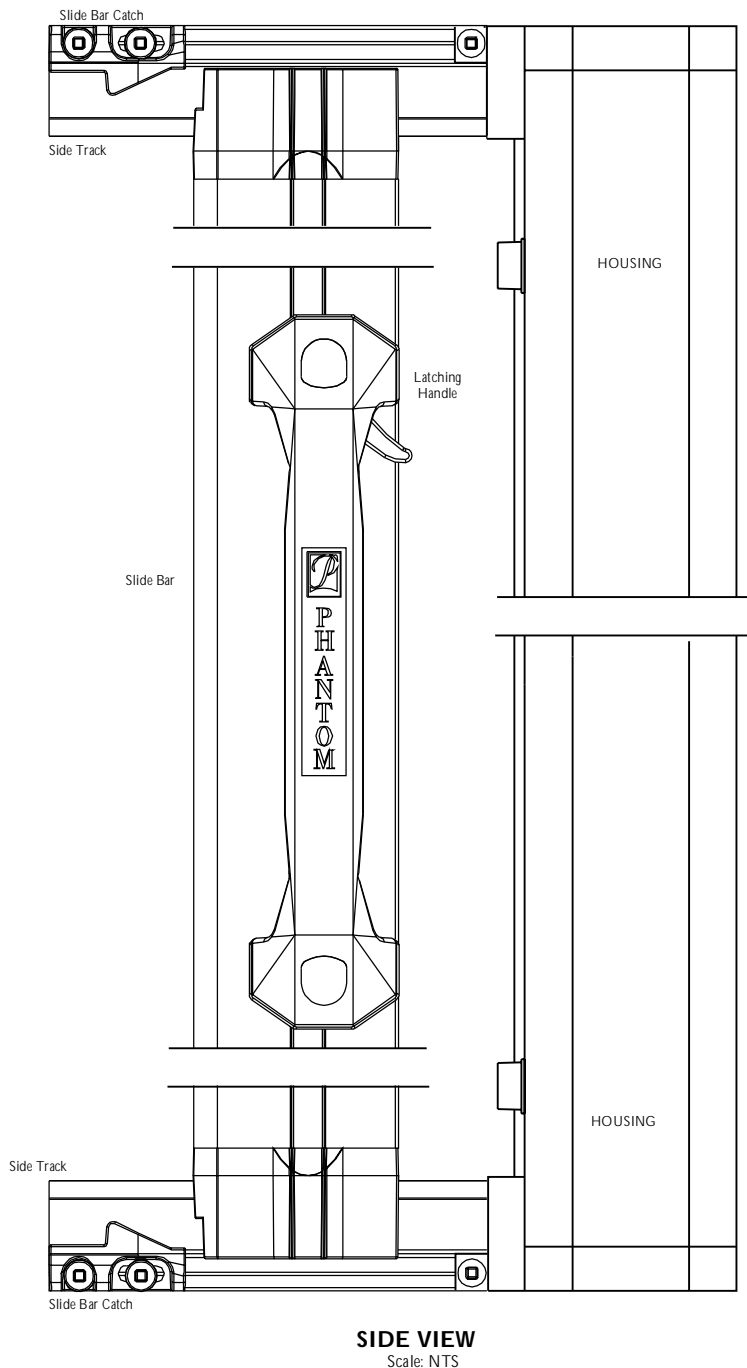
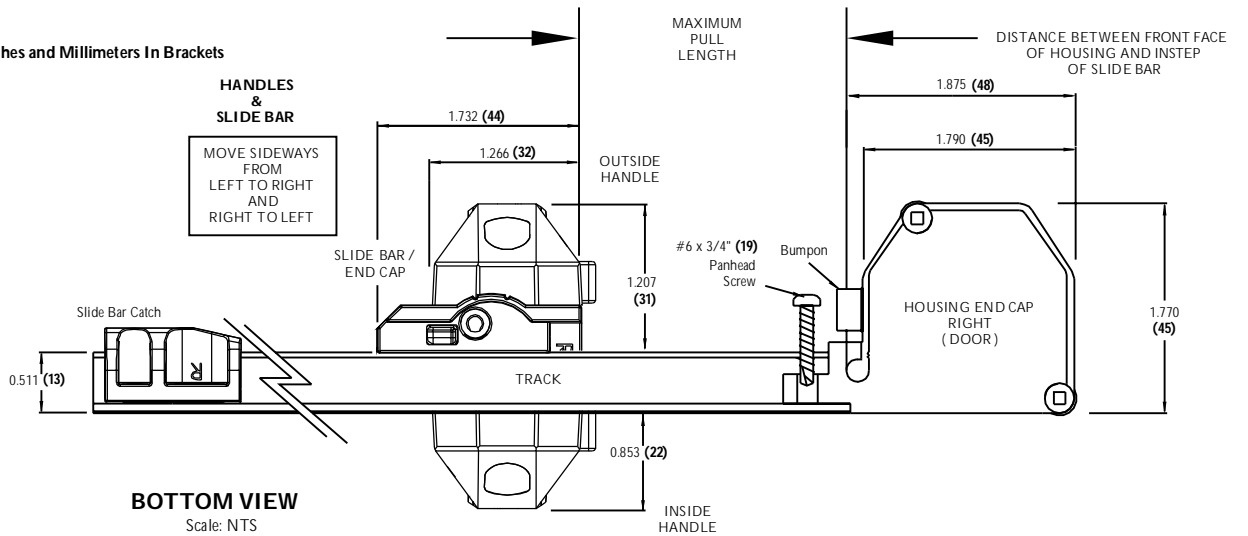


Legacy Door Design Specifications

Detail Views

All Dimensions Are Shown In Inches and Millimeters In Brackets



Creator: NDR	Date: 01/24/12	Revision: Rev:
Drawing Title: PSLEGACYPRODDESIGNSPEC02		
© 2012 Phantom Mfg. Intl Ltd.		Scale: As Shown