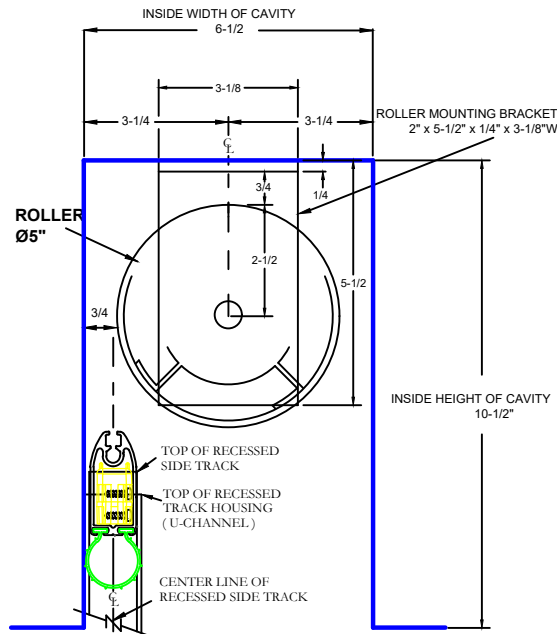
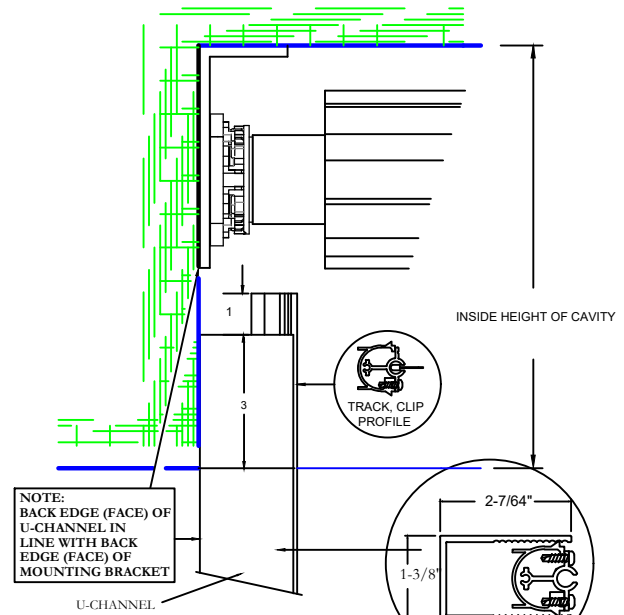


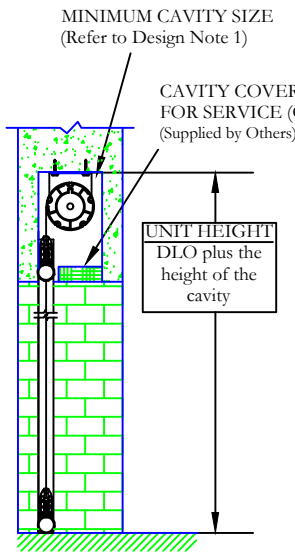
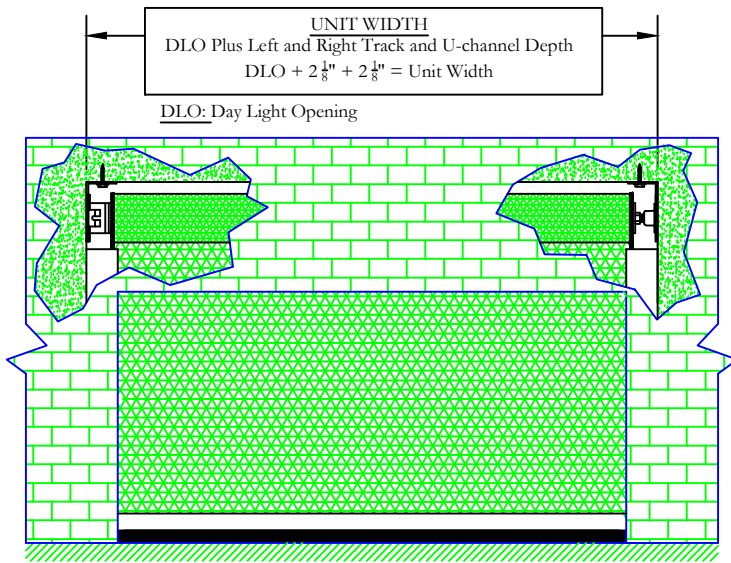
PLACEMENT OF 4" ROLLER, ROLLER MOUNTING BRACKET AND RECESSED SIDE TRACK



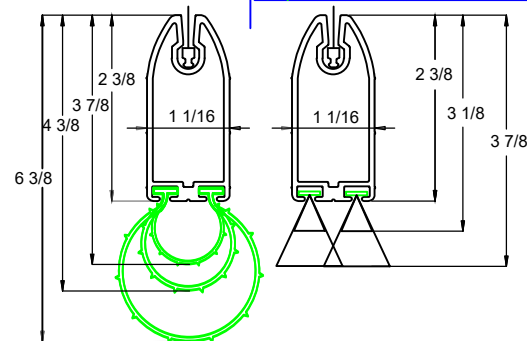
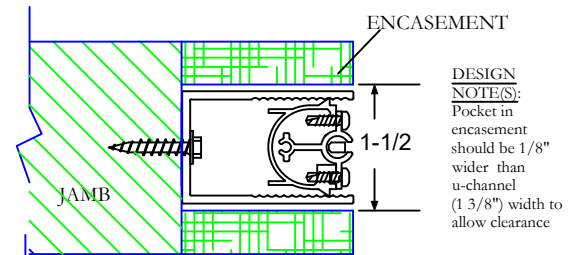
PLACEMENT OF 5" ROLLER, ROLLER MOUNTING BRACKET AND RECESSED SIDE TRACK



RELATIONSHIP OF THE SIDE TRACK U-CHANNEL TO THE 5-1/2" MOTOR MOUNTING BRACKET



DESIGN NOTE(S):
1. For minimum cavity sizes refer to the cavity details above for your appropriate roller diameter (4" or 5")



DESIGN NOTE(S):
Offsets given with slidebar accessories in a non-compressed state.